



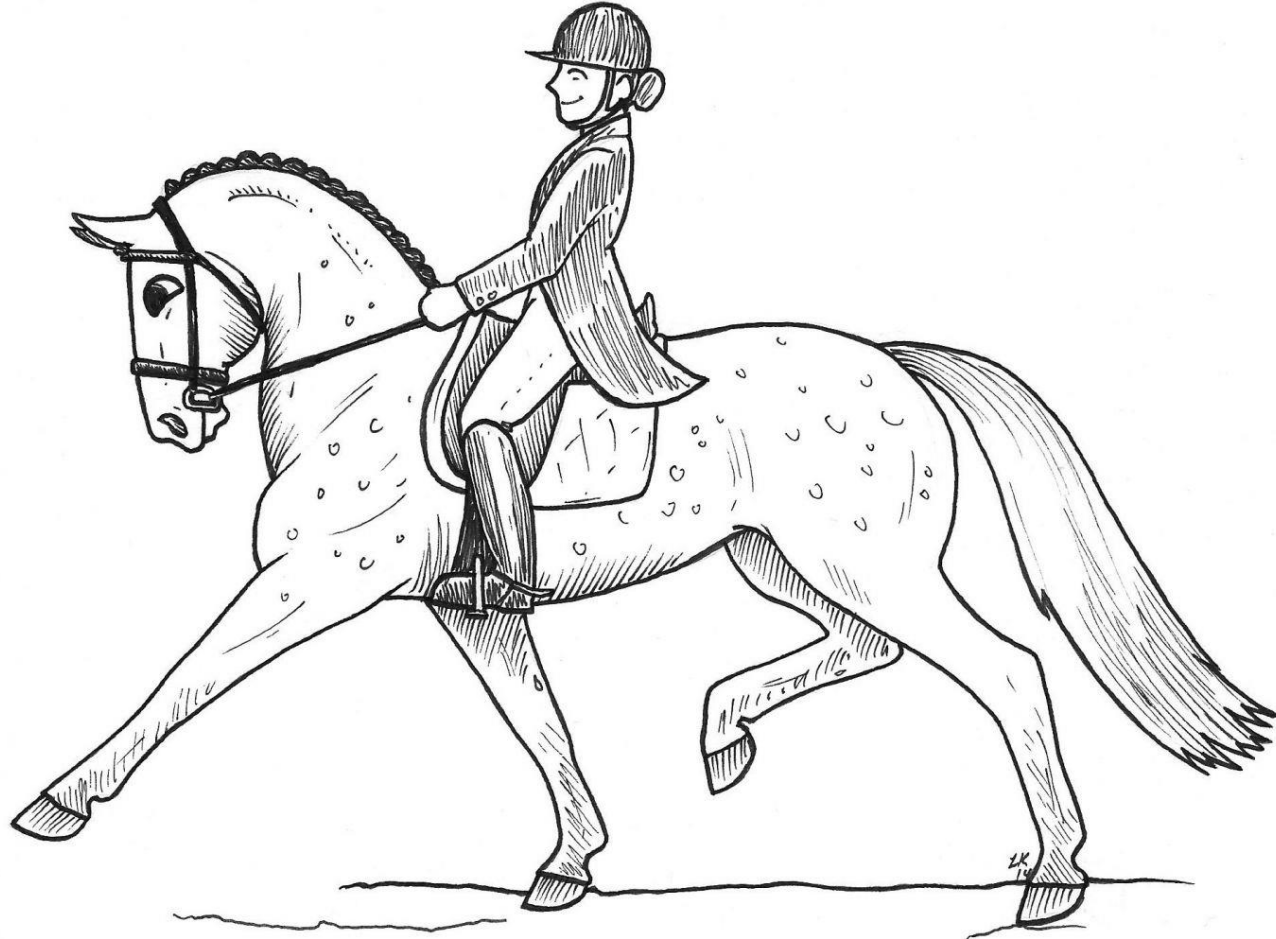
The Pony Club Mini Achievement Badges



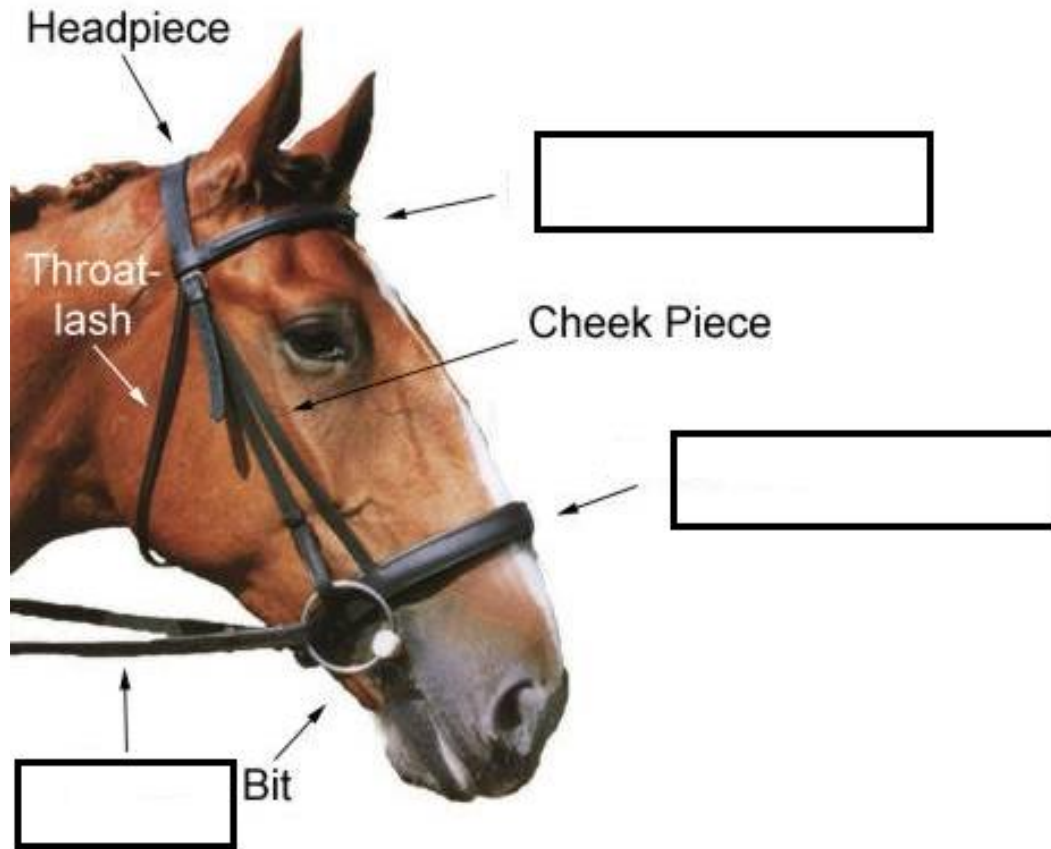
Saddlery Workbook



Can you identify and label the saddle and the bridle in the picture below?



Using the words provided, fill in the blank boxes for each of the parts of the bridle.



Reins

Noseband

Browband

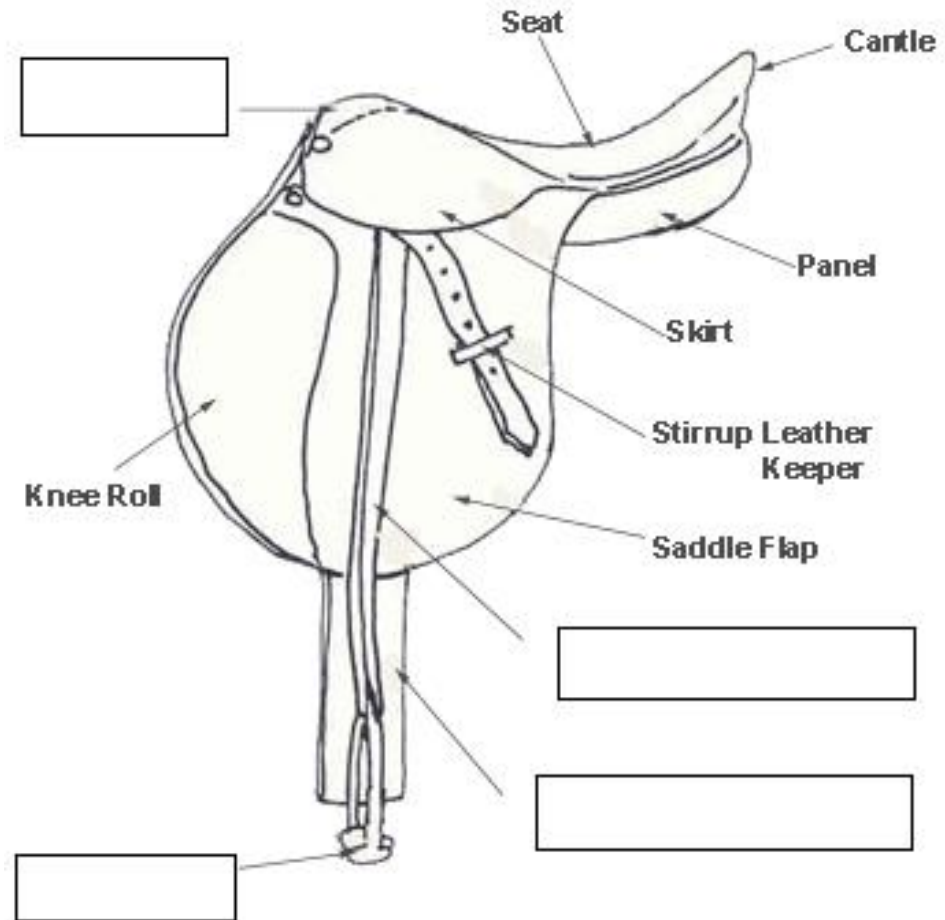
Using the words provided, fill in the blank boxes with each of the parts of the saddle.

Stirrup iron

Stirrup leather

Pommel

Girth



Match each of the different saddles to the correct picture.

**General Purpose
Saddle**

**Dressage
Saddle**

**Racing
Saddle**

**Jumping
Saddle**



Read each of the descriptions below and identify the equipment being described.

1. The part of the bridle that the rider holds.

Answer: _____

2. This is often used under the saddle to protect both the underneath of the saddle and the horse's back.

Answer: _____

3. The part of the bridle that goes in the horses mouth.

Answer: _____

Match each of the different bits to the correct picture.

Snaffle

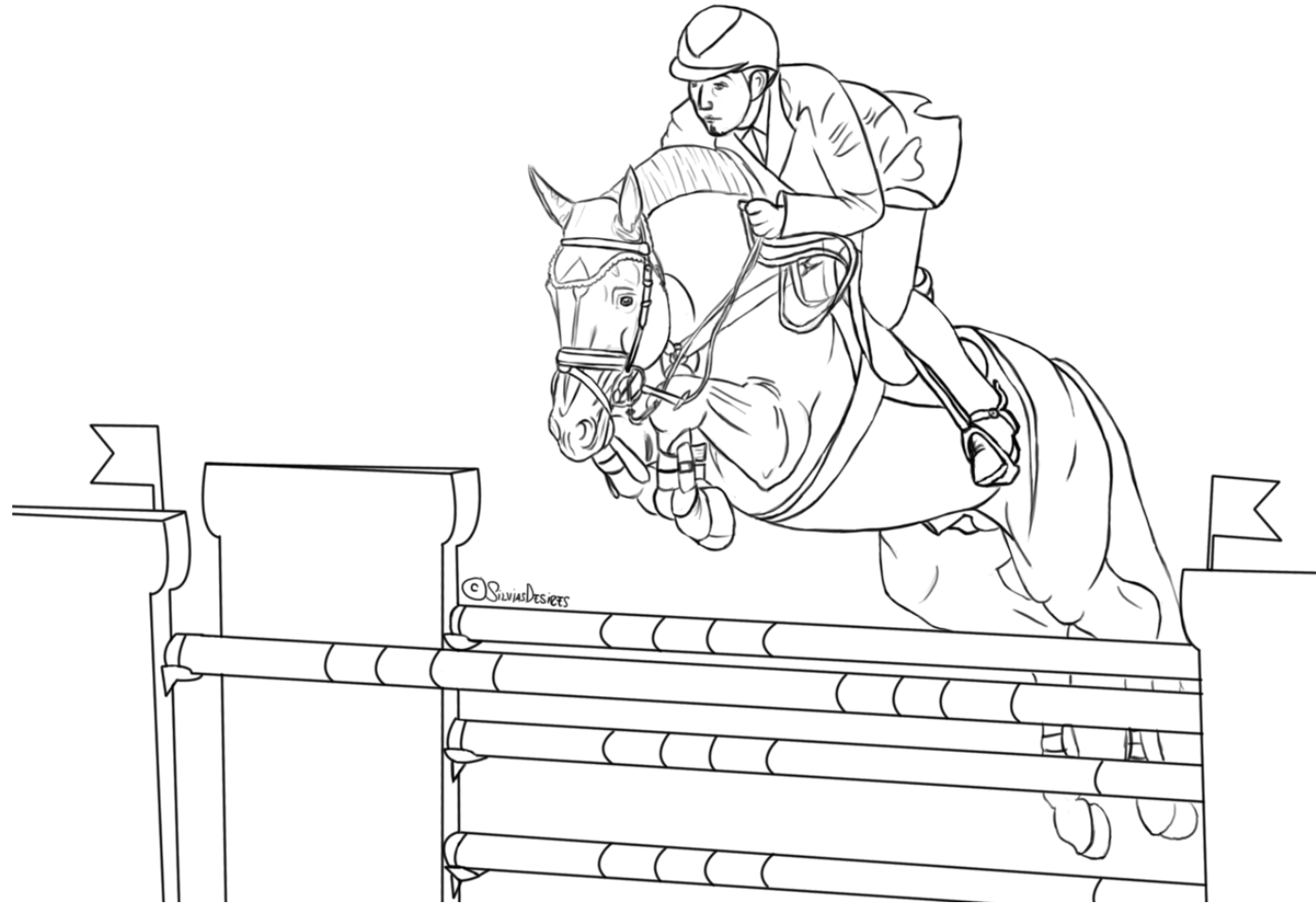
Pelham

Hackamore

Gag



Colour in this picture.



Reshuffle the words below to identify the different saddlery and equipment.

DIBRLE _____

DDLESA _____

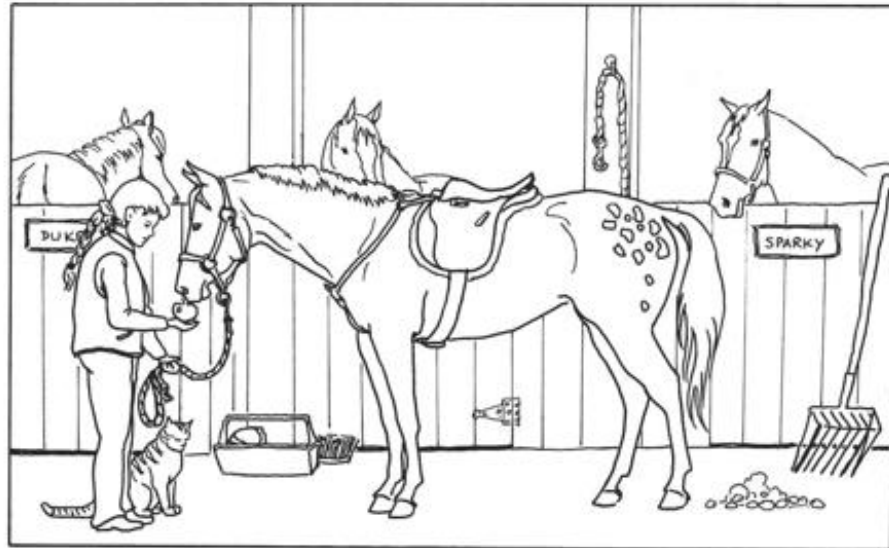
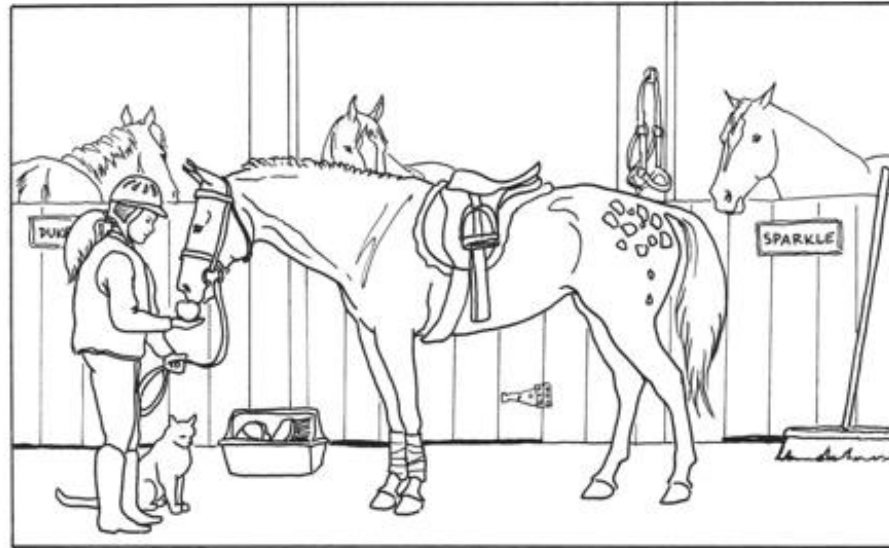
NSREI _____

RGITH _____

PRTISRU _____

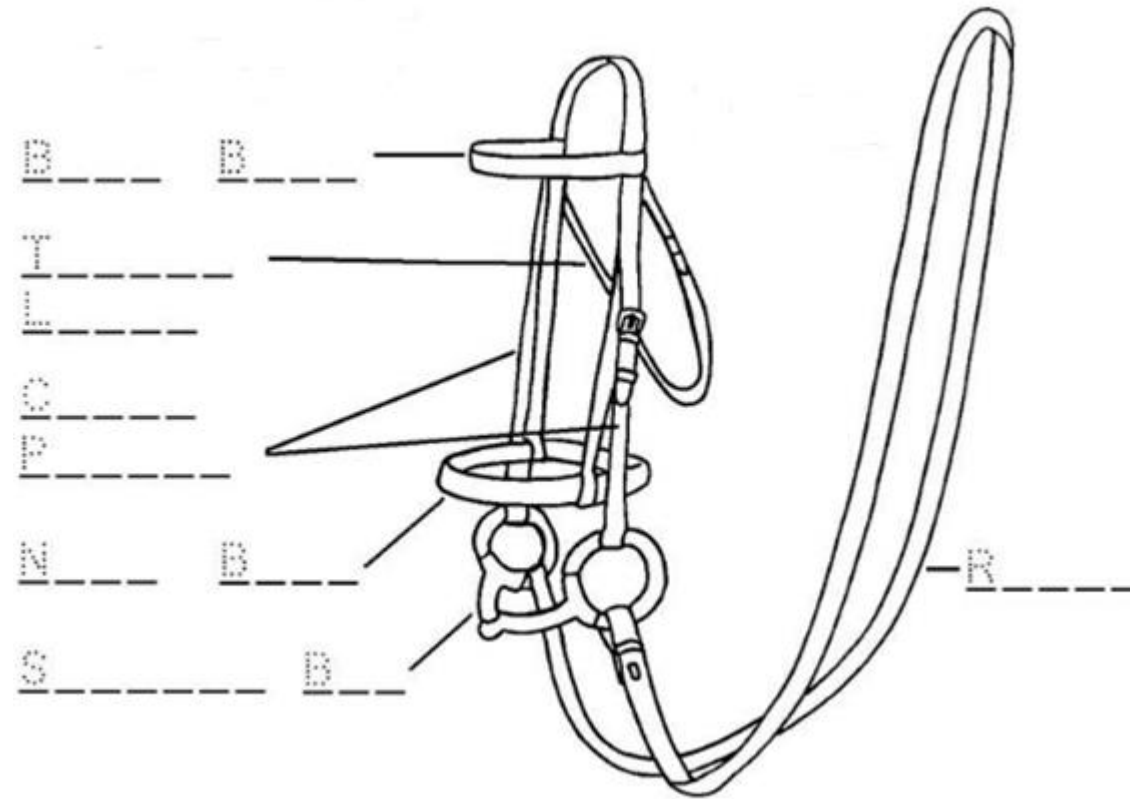
TBI _____

Can you spot 15 things that are different in these 2 pictures



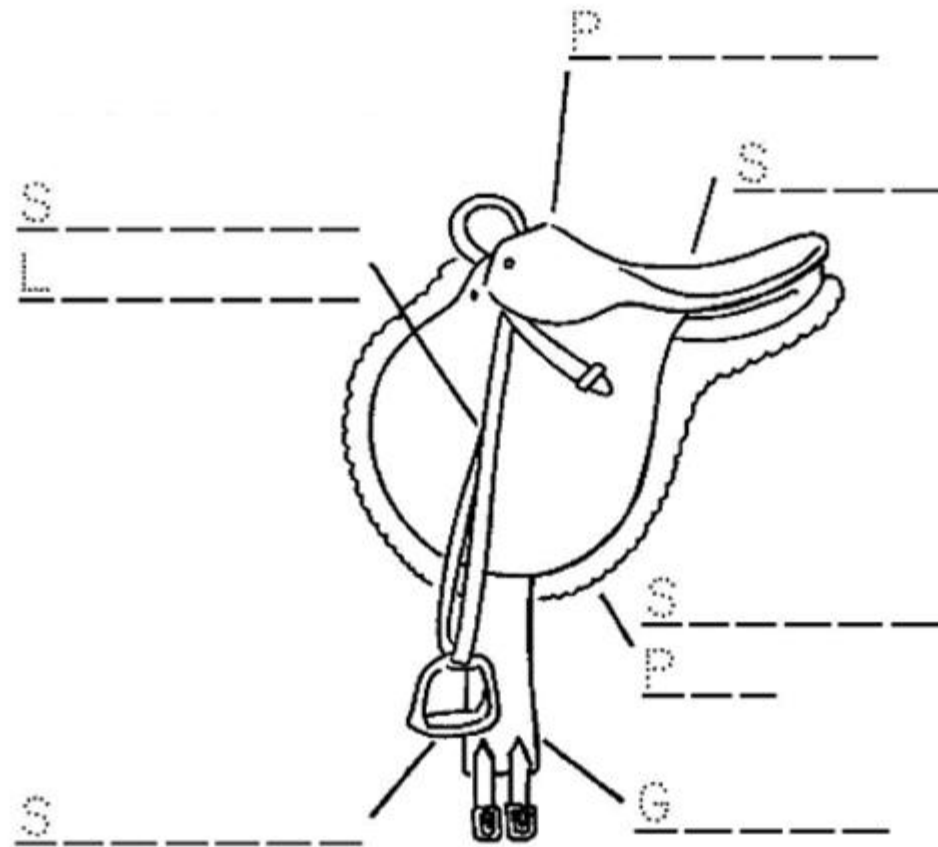
Recap Task

Fill in the missing letters to complete as many of the labels on the bridle as you can.



Recap Task

Fill in the missing letters to complete as many of the labels on the saddle as you can.



Well done!

